

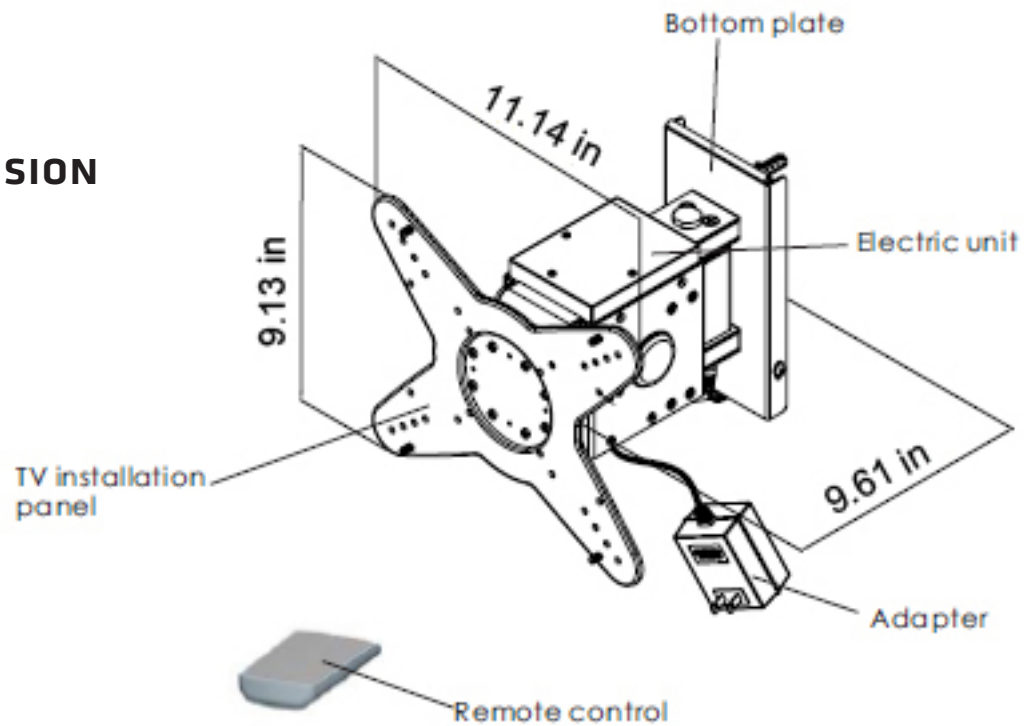


MODEL:NY-01 WALL MOUNTING TV CART

1.SPECIFICATION

1-1.OUTER DIMENSION

Length: 11.14 in
Height: 9.13 in
Width: 9.61 in



1-2.INSTALLATION PARTS:

①	4pcs	②	3pcs	③	3pcs	④	2pcs	⑤	4pcs	⑥	2pcs	⑦	1pc
Round head screw		ø10*47 Plastic wall plug		M6*50 Self-tapping screw		M6*12 Round head screw		M5 Washer		6mm Washer		Remote control	

2.ELECTRICAL SPECIFICATION

2-1

A. INPUT VOLTAGE/CURRENT/FREQUENCY:

100-240VAC 0.8A /50~60Hz

B. OUTPUT CURRENT:

DC12V ,2A

2-2.MOTOR

Item	Rated Voltage	Current (No load)	Current (Rated load)	Operation Temperature
Motor	DC12V	≤ 0.3 A	≤ 2.0 A	-20 C ~ -50 C

WARNING:

Correct installation is extremely essential, and falls outside the scope of responsibility of manufacturer. The user must pay attention to the weight of TV and TV bracket, and only solid wall can support the weight. Please comply with the installation instruction of LCD/PDP to install them.

3. INSTALLATION INSTRUCTION

3-1. INSTALLATION METHOD:

1. Firstly, please make sure the wall thickness for TV wall mount is at least 80mm and the position where you want to install the TV do not have any rigid materials (such as: reinforcing steel bar, steel block, etc) and any loose phenomena, put the bottom plate to the wall, keep it horizontal and mark hole locations and drill hole to 60~70mm depth, then take out plastic wall plugs (3 pcs) from the parts bag and put them to the holes of wall. Finally, use self-tapping screws (3 pcs) to install the bottom plate to the wall and check the fastness. (See diagram 1)
2. Install TV to the holes of TV bracket by washers M5 (4 pcs) and round head screws (4 pcs). (See diagram 2)
3. Hang the TV bracket with TV to the bottom plate, then use round head screws (M6 2 pcs) to tighten two sides of bottom plate. Finally, insert the end of adapter into the power supply interface. (See diagram 3)

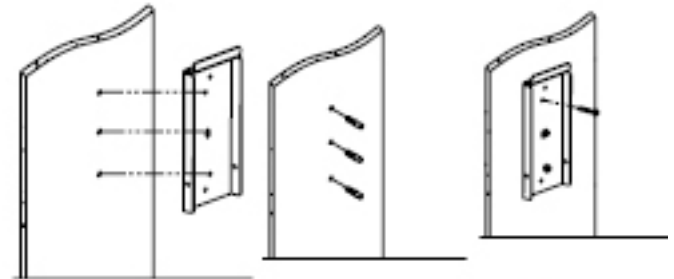


Diagram 1

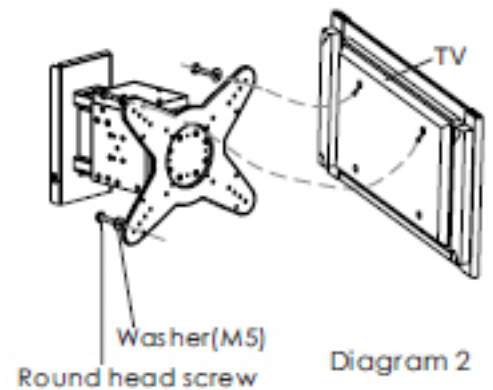


Diagram 2

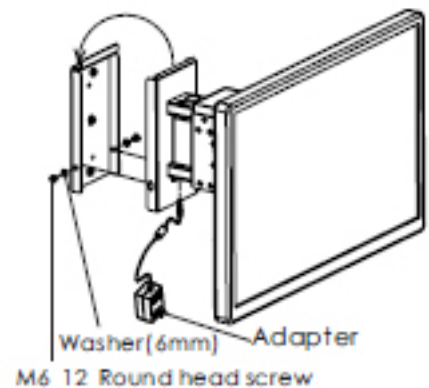


Diagram 3

3-2. OPERATION INSTRUCTION

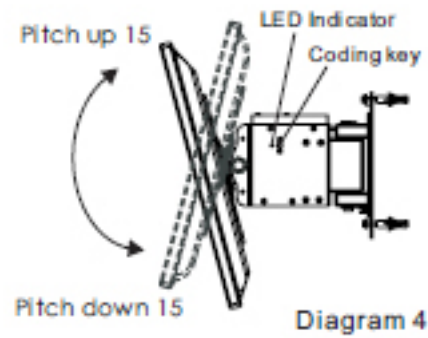
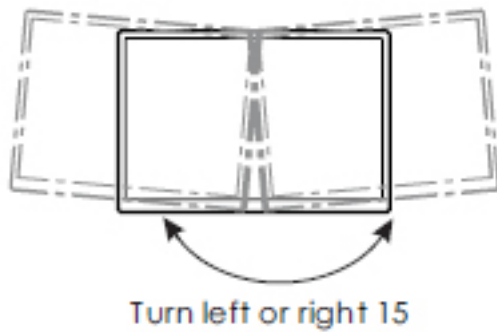
A. FUNCTION

This product can be remote controlled to adjust TV panel angle 15° each to pitch up or down, or turn left or right. (See diagram 4)

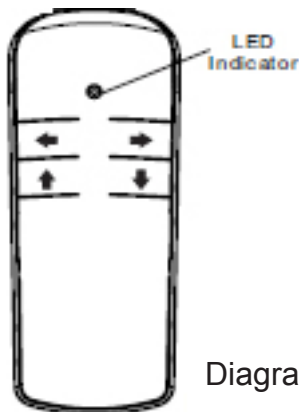
B. REMOTE CONTROL: (SEE DIAGRAM 5)

I. KEY FUNCTION

1. Up : Hold on to pitch TV up.
2. Down : Hold on to pitch TV down.
3. Left : Hold on to turn TV left.
4. Right : Hold on to turn TV right.







II. OPERATION



1. Aim the LED indicator (on remote control) at TV . The remote range is 3-10 meters.

2.

-  : Hold on to pitch TV up.
-  : Hold on to pitch TV down.
-  : Hold on to turn TV left.
-  : Hold on to turn TV right.

3. Insert one 23A,12V battery in the remote control. If the battery

III. NOTICE

If any remote control of our product was lost or damaged ,you can buy a new remote control with the same frequency which produce by our company and do following operation:

1. Memory cleaning: press coding key about 10 seconds ,the memory will cleaned after the indicator closed.(The memory is the coding memory of the previous remote control).

2. Use new remote control,press any key of remote control and the coding key1-2seconds at the same time ,loosen remote control firstly ,then loosen the coding key ,finally ,you can operate the product with new remote control .(Coding key, Indicator,please see diagram 4).

3-3.TECHNICAL PARAMETERS:

Item Model	TV Screen Size (inch)	Cart Dimension	Max Installation Size (inch)	Min Installation Size (inch)	Bearing (lbs)	L/R angle (°)	Up & Down angle (°)	Net Weight (lbs)
NY-01	15-32"	11.1" x 9.1" x 9.6"	7.84 x 7.84	2.95 x 2.95	88.18	± 15	± 15	13 ±1.1

CAUTION:

This wall mount is intended for use only with the maximum weights indicated . Use with heavier than the maximum weights indicated may result in instability causing possible injury.

SAVE THESE INSTRUCTIONS

3.4 IMPORTANT SAFETY INSTRUCTIONS

When using an electrical mounting system, basic precautions should always be followed, including the following:

Read all instructions before using (this mounting system).

Danger to reduce the risk of electric shock:

1. always unplug this mounting system from the electrical outlet before cleaning warning- to reduce the risk of electric shock.
2. unplug from outlet before putting on or taking off parts.
3. Use this mounting system only for its intended use as described in these instructions .do not use attachments not recommended by the manufacturer.
4. never operate this mounting system if it has a damaged cord or plug. If it is not working properly, return the mounting system to a service center for examination and repair.
5. Keep the cord away from heated surfaces.
6. Never operate the mounting system with the air openings blocked .keep the air openings free of lint, hair, and the like.
7. Never drop or insert any object into any opening.
8. Do not use outdoors unless marked for outdoor use.
9. Route cords and cables as shown in the installation instructions.
10. To disconnect, turn all controls to the off position, then remove plug from outlet.



4 TEMPERATURE AND HUMILITY CONDITION:

-20 C - +50 C, 80%HR

WARNING:

This device complies with part 15 of the FCC Rules. Operation is subject to the following two conditions: (1) this device may not cause harmful interference, and (2) this device must accept any interference received, including interference that may cause undesired operation.