

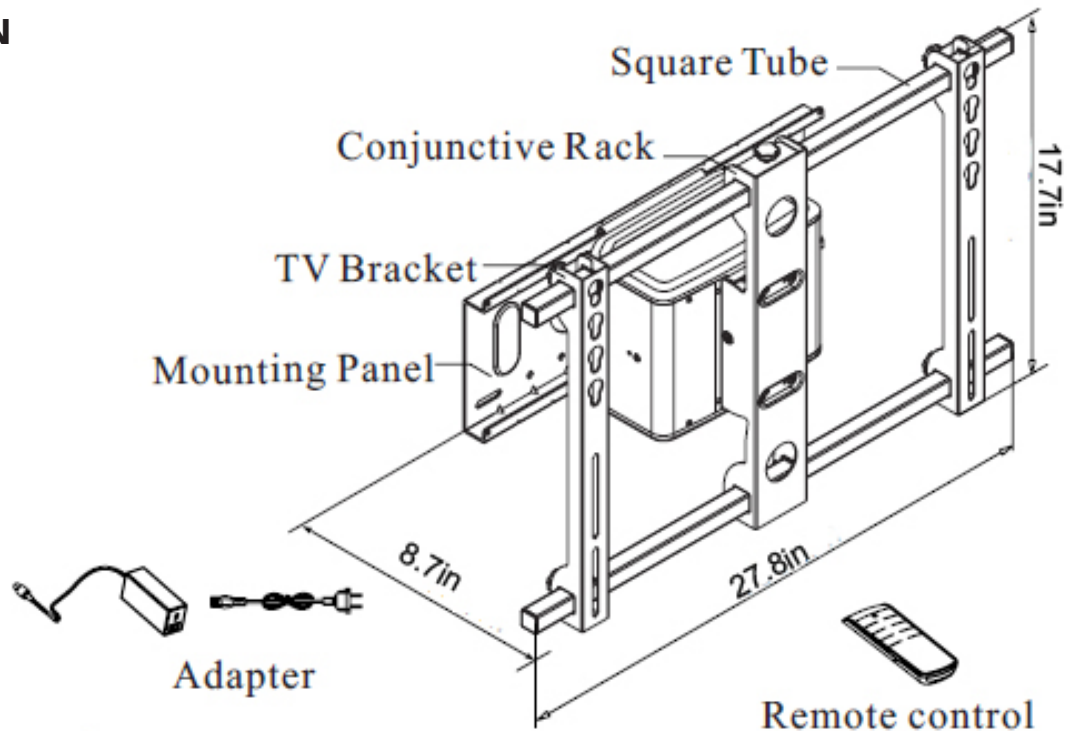


REMOTE CONTROLLED FLAT PANEL TV BRACKET












1. SPECIFICATION

1-1. DIMENSION

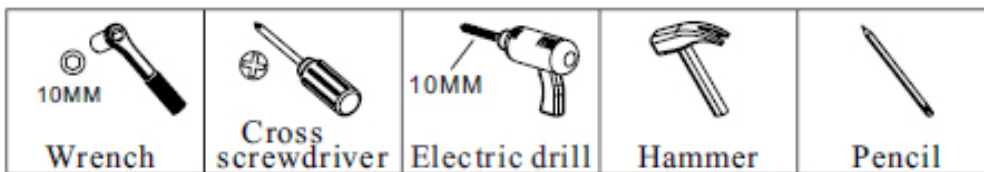
Length: 27.8 in
Height: 8.7 in
Width: 17.7 in



1-2. INSTALLATION PARTS:

① 2pcs  M5/M6/M8mm Sink Head Screw	② 2pcs  Tab	③ 2pcs  M5/M6/M8mm Round Head Screw	④ 2pcs  Washer	⑤ 2pcs  Pad	⑥ 6pcs  Ø10*47mm Plastic Wall Plug
⑦ 6pcs  M6*50mm Hexagon flange Wood Screw	⑧ 8pcs  M6*18 Plastic-head Screw	⑨ 4pcs  M6*10mm Cross Flat Head Screw	⑩ 1pcs  Adapter	⑪ 1pcs  Remote control	

1.3 ASSEMBLY TOOLS (NOT INCLUDED)



Check all the parts as shown on the manual included. If parts are missed or damaged, do not use it and please return to your local distributor.

2. ELECTRIC SPECIFICATIONS

2-1. POWER SUPPLY SPECIFICATIONS:

Use the supplied AC power adapter with the following specifications:

Input: AC 100 - 240V, 0.8A, 50/60Hz

Output: DC 12V, 2.0A

2-2. DEVICE SPECIFICATIONS: DC Input: DC 12V, 2.0A

2-2. MOTOR

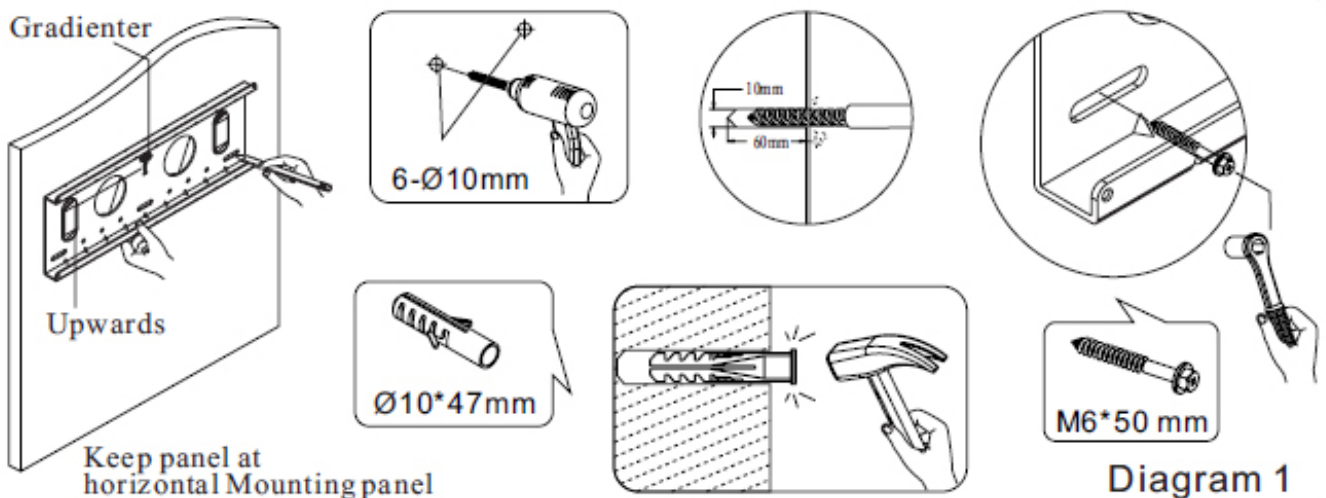
Item	Rated Voltage	Current (No load)	Current (Rated load)	Operation Temperature
Motor	DC12V	≤ 0.3 A	≤ 0.6 A	-20 C ~ -50 C

WARNING:

Correct installation is extremely essential, and falls outside the scope of responsibility of manufacturer. The user must pay attention to the weight of TV and TV wall mount, and only solid wall can support the weight. For the wooden wall, product's fasteners supplied shall be positioned in wood studs. Please comply with the installation instruction of LCD/PDP to install them.

3. INSTALLATION INSTRUCTION

3-1. Be sure the wall to be mounted is solid enough and does not have rigid material inside. Then, put the mounting panel on the wall, Horizontalize it and mark hole locations. Drill 6 holes on the wall at marked locations to 60~70mm depth and \varnothing 10mm, put the (6) plastic wall plug (6pcs) to the holes, then use (7) Hexagon flange wood screw tighten them with hammer. (Diagram 1)



3-2. Screw off two screws on the each side of locking plate, put the conjunctive bracket to the crack next to the plastic clip, fix the conjunctive bracket to locking plate to the screws on the each side, then take off the plastic clip. Then fix the Main bracket on Locking plate by 4pcs (9) Flat Head Screw. (Diagram 2)



3-3. Insert square tube (2pcs) into the holes of the conjunctive rack. Screw up the (8) plastic head screws behind the conjunctive rack to fasten square tube. Finally, hang TV brackets (2pcs) on the square tubes (make sure the horizontal space between brackets equal to the space of TV back cover) and tighten them by (8) plastic head screws. (Diagram 3)

3-3. Screw up tabs (2) (2pcs) to the upper holes of TV back cover by (1) sink head screws (2pcs), The hang TV to the corresponding holes on TV bracket by the tabs. Screw up TV brackets to the lower end of TV back cover by (3) round head screw with (4) washer and (5) pad. (Diagram 4)

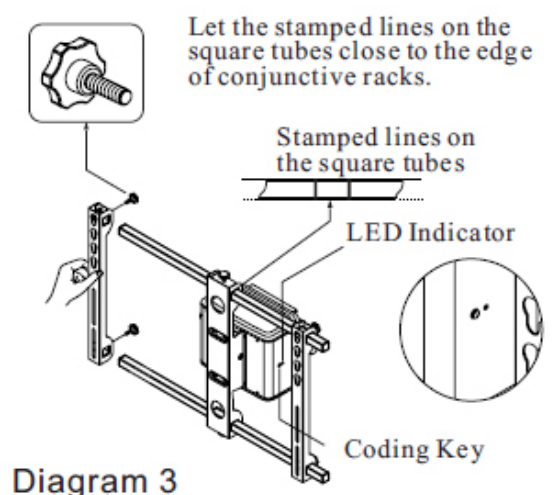
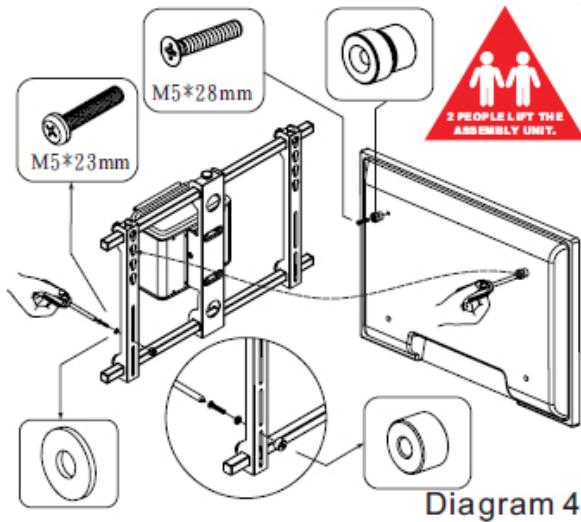
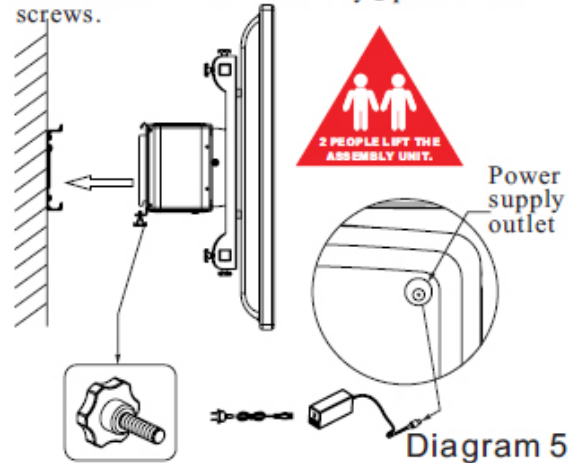


Diagram 3



Hook TV wall mount (with TV) to the hooking gap of the mounting panel ,then tighten the lower end of TV wall mount by ⑧ plastic head screws.

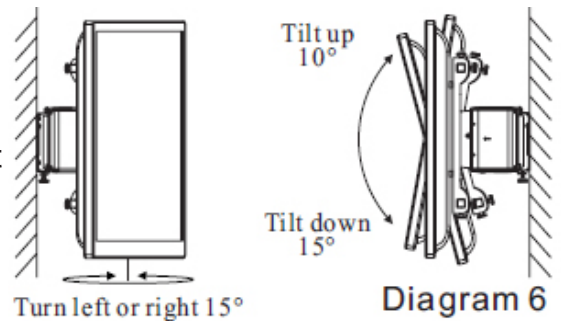


3-4. Hang TV wall mount (with TV) to the hooking gap of the mounting panel ,Then tighten the lower end of TV wall mount by (8) (2pcs) plastic head screws. (Diagram 5)

4. USER 'S GUIDE.

4-1. FUNCTION

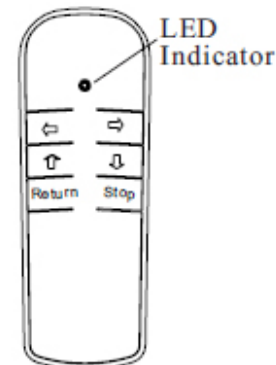
This product can be controlled by remote sensors to adjust the angle of TV to tilt up 10° and tilt down 15°, turn left or right 15°. (Diagram 6)



4-2. REMOTE CONTROL(DIAGRAM 7)

I. KEY FUNCTION

1. ← Press the key the bracket will turn left.
2. → Press the key the bracket will turn right.
3. ↑ Press the key the bracket will tilt up.
4. ↓ Press the key the bracket will tilt down.
5. Return: Press the key the mount will come back to the original position.
6. Stop: Press the key the mount will stop in the course of return.



II. OPERATING INSTRUCTION

1. Insert one 23A 12V battery in the Remote control, the effective distance is within 10 meters.
2. When user presses any function key (up, down, left, and right) of Remote control, the TV bracket with TV will move to the corresponding direction, and will stop when you loosen the key.

III. NOTICE

If any remote of our product was lost or damaged, you can buy a new remote with the same frequencies which produce by our company and do following operation:

1. Memory cleaning: Press coding key about 10 seconds, the memory will clean after the LED indicator closed. (The memory is the coding memory of the previous remote control).
2. Use new remote control: Press any key of remote control and the coding key 1-2 seconds at the same time, Loosen remote control firstly, Then loosen the coding key.

Finally, you can operate the product with new remote control. (Coding key ,Indicator, Please see diagram3).

4-3. TECHNICAL PARAMETERS:

Item Model	TV Screen Size (inch)	Cart Dimension	Max Installation Size (inch)	Min Installation Size (inch)	Bearing (lbs)	L/R angle (°)	Up & Down angle (°)	Net Weight (lbs)
NY-05	32~42"	27.8"x 17.7"x8.7"	23.6 x 15.7	7.87 x 7.87	132.28	± 15	Up 15 Down 10	28.44 ±1.1

CAUTION:

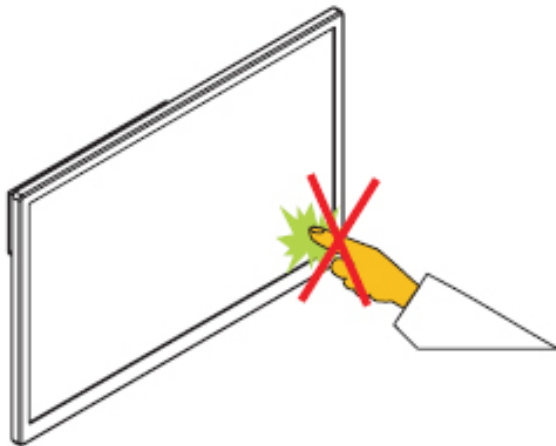
This wall mount is intended for use only with the maximum weights indicated . Use with heavier an the maximum weights indicated may result in instability causing possible injury.

5. NOTICE:

- Do not connect power supply before fasten the product.



- Make sure wire and plug are good before connecting.



- Do not touch or push the product by hand or other object when it is working. Check carefully to make sure every parts is fastened tightly before use.

5. MAINTENANCE

Do not use corrosive agent or alcohol or chemical cloth to clean!
Temperature and humidity condition: -20 C - +50 C, 80%HR

WARNING:

1. Do not disassemble the product to repair by yourself .warranty for electricity is void after disassembled!
2. After you installed the apparatus, please check the expansion screws and all fastening devices every 3 months , and please do not useit and contact the local dealer if it gets loose, rusty or lost.