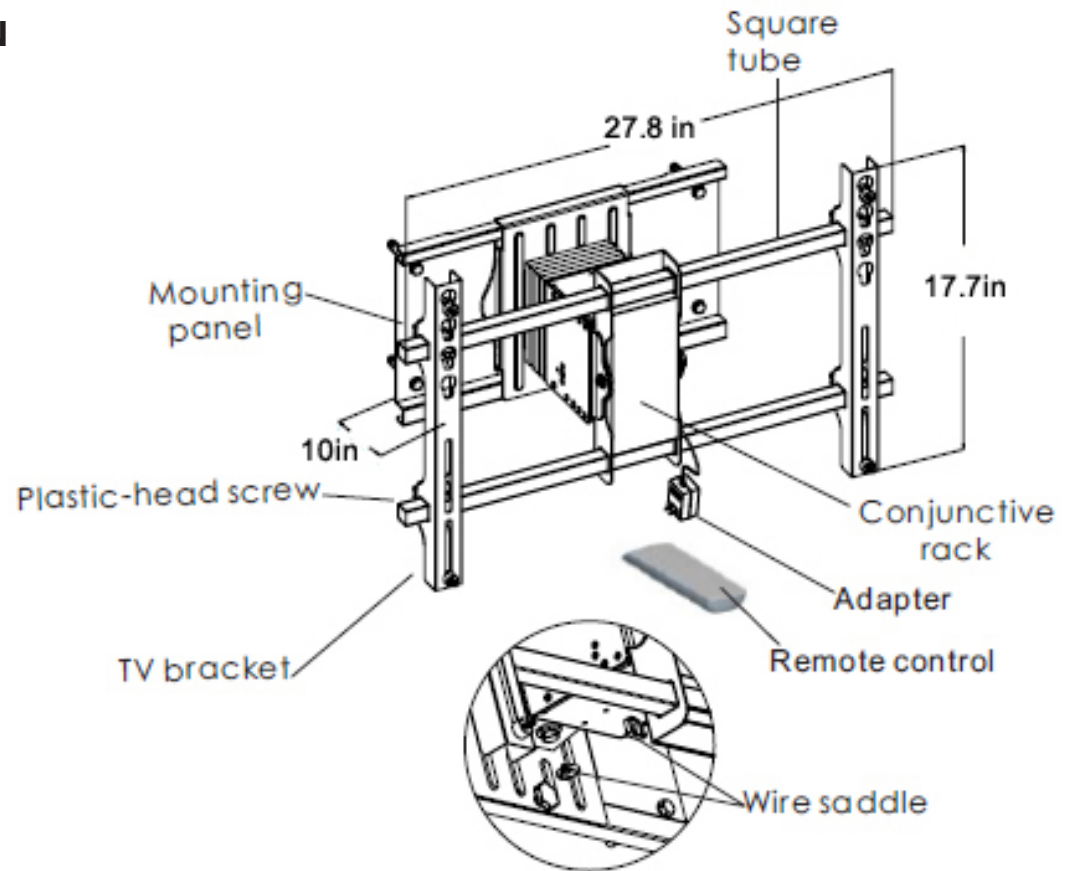




1. SPECIFICATION

1-1. DIMENSION

Length: 27.8 in
Height: 10 in
Width: 17.7 in



1-2. INSTALLATION PARTS:

①	2 pcs	②	2 pcs	③	2 pcs	④	2 pcs	⑤	2 pcs	⑥	4 pcs	⑦	7 pcs	⑧	1 pc
	M5x25mm/ M8x30mm/ M8x35mm Sink Head Screw		M5/M6/M8 mm Tab		M5x23mm/ M8x25mm/ M8x30mm Round Head Screw		18 x 4.2 x 1.5 mm /M8 Washer		M5/M6/M8mm Pad		M8X 70mm Expansion Screw		M8X18mm Plastic Head Screw		Remote Control

1.3 ASSEMBLY TOOLS (NOT INCLUDED)

Spanner	Cross screwdriver	Electric drill	Hammer	Pencil

Check all the parts as shown on the manual included .If parts are missed or damaged, do not use it and please return to your local distributor.

2. ELECTRIC SPECIFICATION

2-1. INPUT VOLTAGE/CURRENT/FREQUENCY, OUTPUT CURRENT

- A. Input voltage/Current/Frequency: 110-240VAC/< 0.65A/50~60Hz
 B. Output current: DC12V , 2A

2-2. MOTOR

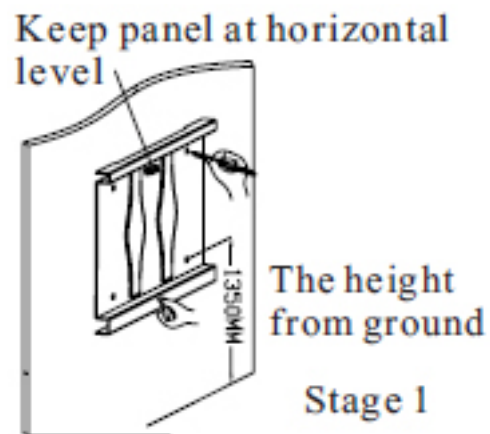
Item	Rated Voltage	Current (No load)	Current (Rated load)	Operation Temperature
Motor	DC12V	≤ 0.3 A	≤ 0.6 A	-20 C ~ -50 C

WARNING:

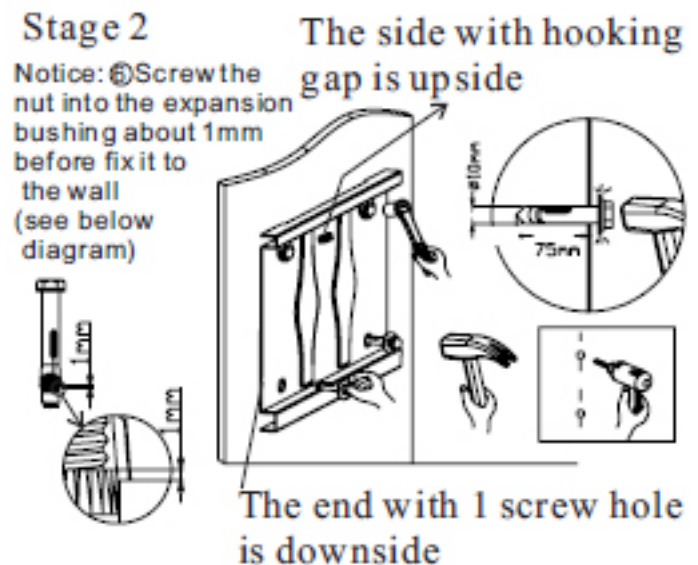
Correct installation is extremely essential , and falls outside the scope of responsibility of manufacturer . The user must pay attention to the weight of TV and TV wall mount, and only solid wall can support the weight. For the wooden wall, product's fasteners supplied shall be positioned in wood stubs. Please comply with the installation instruction of LCD/PDP to install them.

3. INSTALLATION INSTRUCTION

3-1. Be sure the wall to be mounted is solid enough and does not have rigid material inside and the wall thickness at least 80mm. Then, put the mounting panel on the wall, horizontalize it and mark hole locations. (Stage 1)



3-2. Drill holes on the wall at marked locations to 75mm depth and Ø 10mm, put (6) expansion screw (4PCS) to the holes, and tighten them with hammer and spanner. (Stage 2)

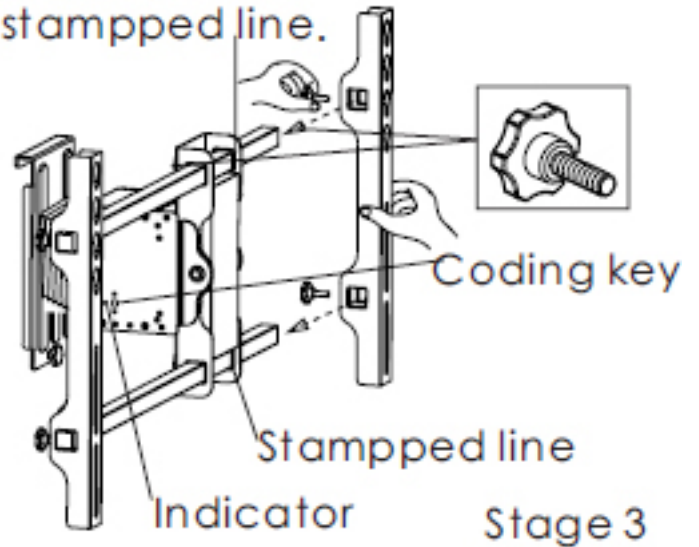


3-3. Insert square tube (2pcs) into the holes of the conjunctive rack, let the stamped lines on the square tubes close to the edge of conjunctive racks.

Screw up the (7) plastic-head screws behind the conjunctive rack to fasten square tube.

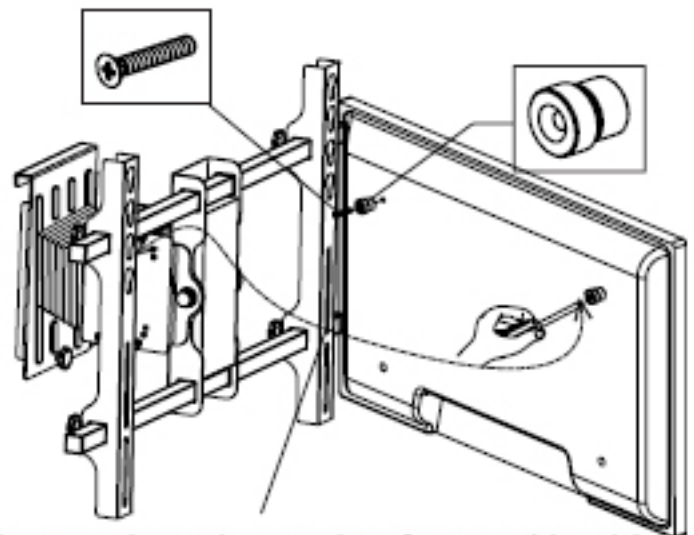
Finally, hang TV brackets (2pcs) on the square tubes and tighten them by (7) plastic-head screws. (Stage 3)

a: Position square tube to stamped line.



3-4. Screw up (2) hooking tabs (2pcs) to the upper side of TV back cover by (1) sink head screws (2pcs).

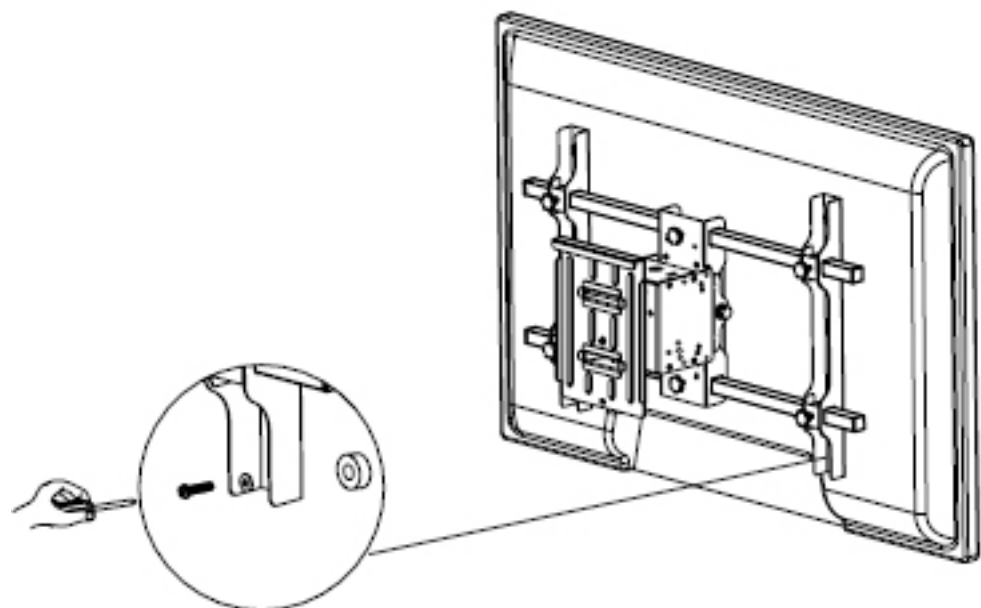
Hook TV to TV bracket to the corresponding holes by the tabs. (Stage 4)



b: Hook TV by putting fastened hooking tabs into the corresponding holes on TV bracket.

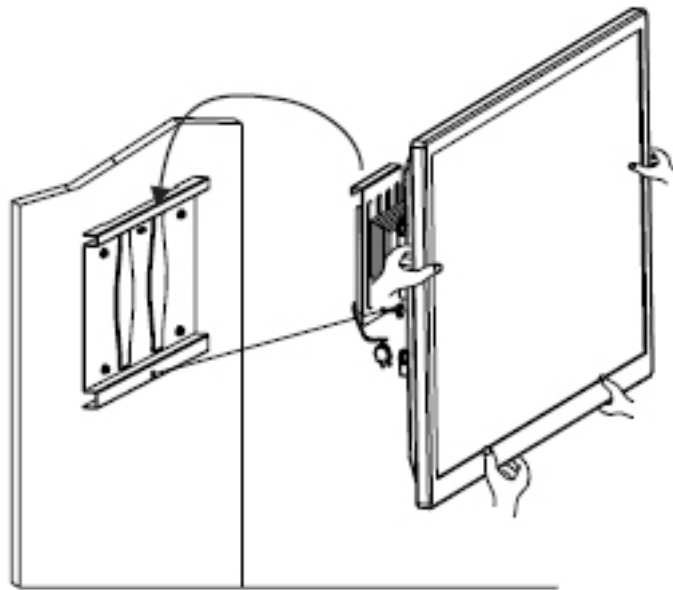
Stage 4

3-5. Screw up TV brackets to the lower end of TV back cover by (3) round head screw with (4) washer and (5) pad. (Stage 5)



Stage 5

3-6. With the help of another person, hook TV bracket (with TV) to the hooking gap of the mounting panel, then tighten (7) plastic head screw. (Stage 6)

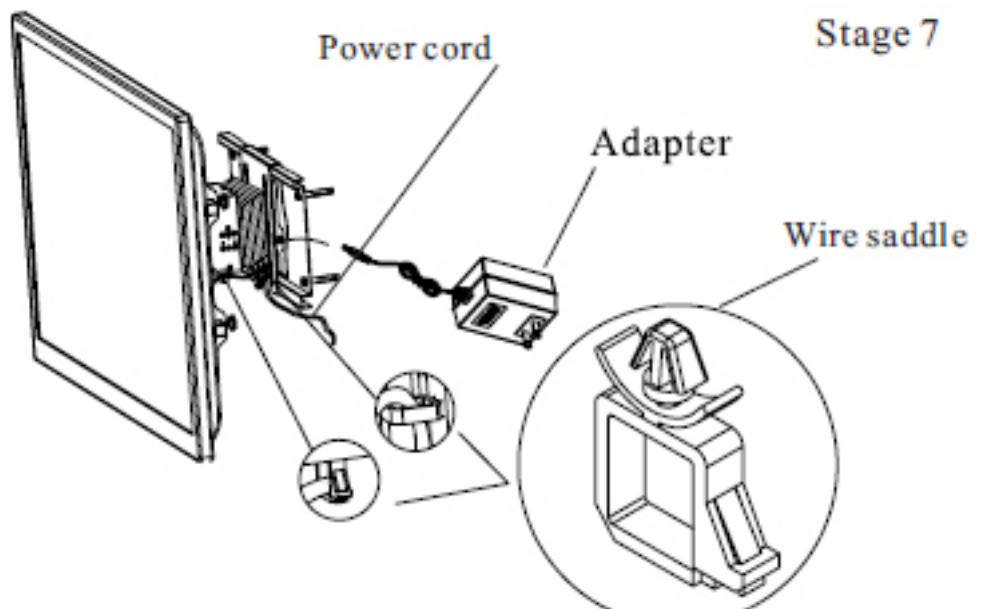


Stage 6



3-7. Fix the power cord of TV. Please use the wire saddle to fix the power cord of TV.

Finally, insert the end of adapter into the power supply interface on TV wall mount and connect the other end to the power supply. (Stage 7)



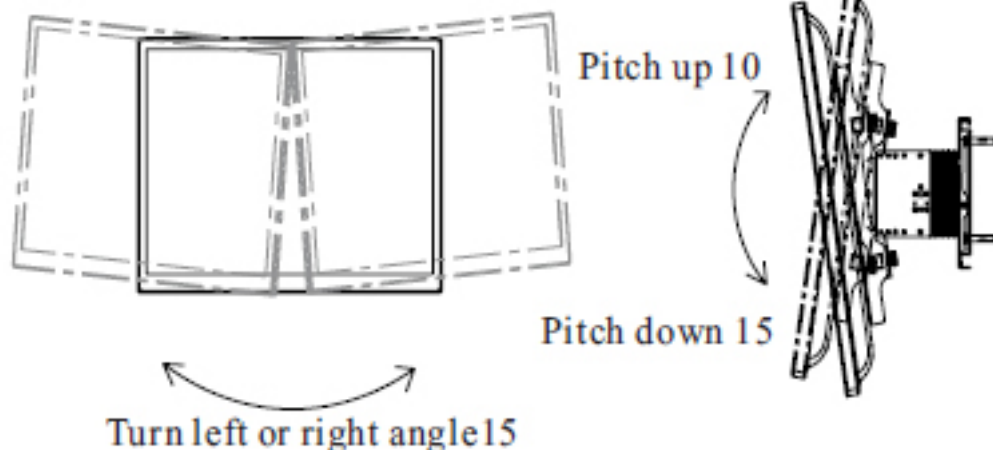
Stage 7

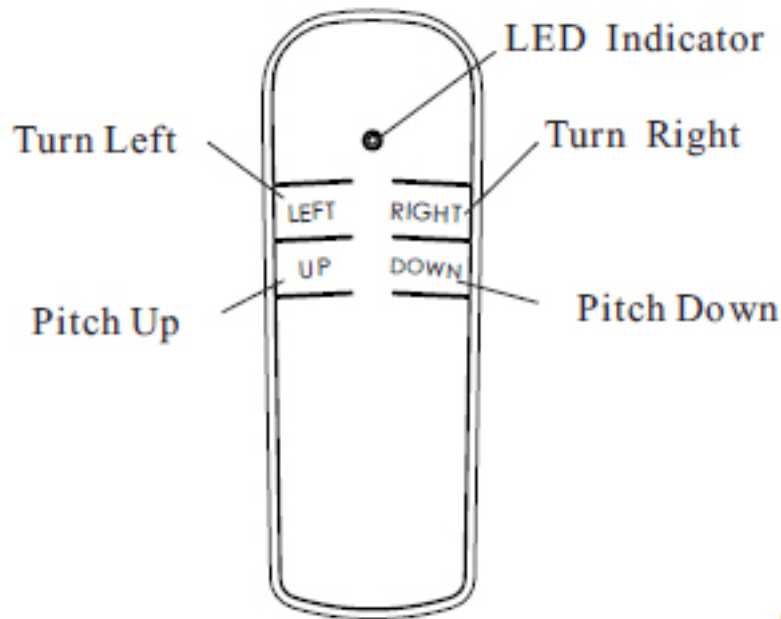
4. USER'S GUIDE

A. FUNCTION

This product can be controlled by remote control to adjust the angle of TV to pitch up 10° and pitch down 15°, turn left or right 15°. (stage 8)

Stage 8





Stage 9

B. REMOTE CONTROL (STAGE 9):

I. KEY FUNCTION

1. Up : Hold on to pitch TV up.
2. Down : Hold on to pitch TV down.
3. Left : Hold on to turn TV left.
4. Right : Hold on to turn TV right.



II. OPERATING INSTRUCTION

1. Insert one 23A12V battery in the remote control, the remote range is within 15 meters.
2. Press and hold on the direction key (up, down, left, right) to turn TV to proper angle.

III. NOTICE

If any remote control of our product was lost or damaged ,you can buy a new remote control with the same frequency which produce by our company and do following operation:

1. Memory cleaning: Press coding key about 10 seconds, the memory will clean after the LED indicator closed. (The memory is the coding memory of the previous remote control).
2. Use new remote control: Press any key of remote control and the coding key 1-2 seconds at the same time, Loosen remote control firstly, Then loosen the coding key.

Finally, you can operate the product with new remote control. (Coding key ,Indicator, Please see stage 3).

5. TECHNICAL PARAMETERS:

Item Model	TV Screen Size (inch)	Cart Dimension	Max Installation Size (inch)	Min Installation Size (inch)	Load (lbs)	L/R angle (°)	Up & Down angle (°)	Net Weight (lbs)
NY-08	25~46"	27.8"x 17.7"x10"	23.6 x 15.7	7.87 x 7.87	176.4	15	Up 10 Down 15	29 0.5

CAUTION:

This wall mount is intended for use only with the maximum weights indicated . Use with heavier an the maximum weights indicated may result in instability causing possible injury.

6. NOTICE:

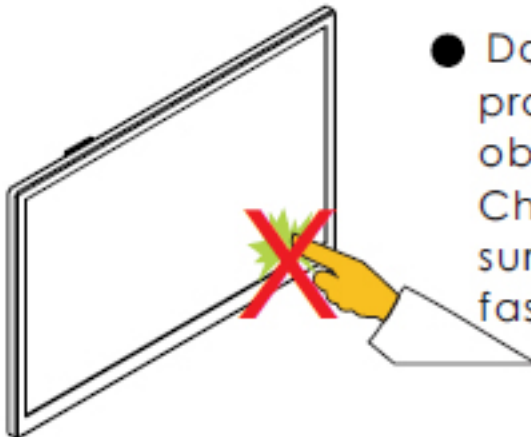
- Do not connect before fasten the product.



- Make sure wire and plug are good before connecting.



- Do not touch or push the product by hand or other object when it is working . Check carefully to make sure every parts are fastened tightly before use.



7. MAINTENANCE

7-1. Do not use corrosive agent or alcohol or chemical cloth to clean!

7-2. Temperature and humidity condition: -20 C - +50 C, 80%HR

WARNING:

1. Do not disassemble the product to repair by yourself .warranty for electricity is void after disassembled!
2. After you installed the apparatus, please check the expansion screws and all fastening devices every 3 months , and please do not useit and contact the local dealer if it gets loose, rusty or lost.