

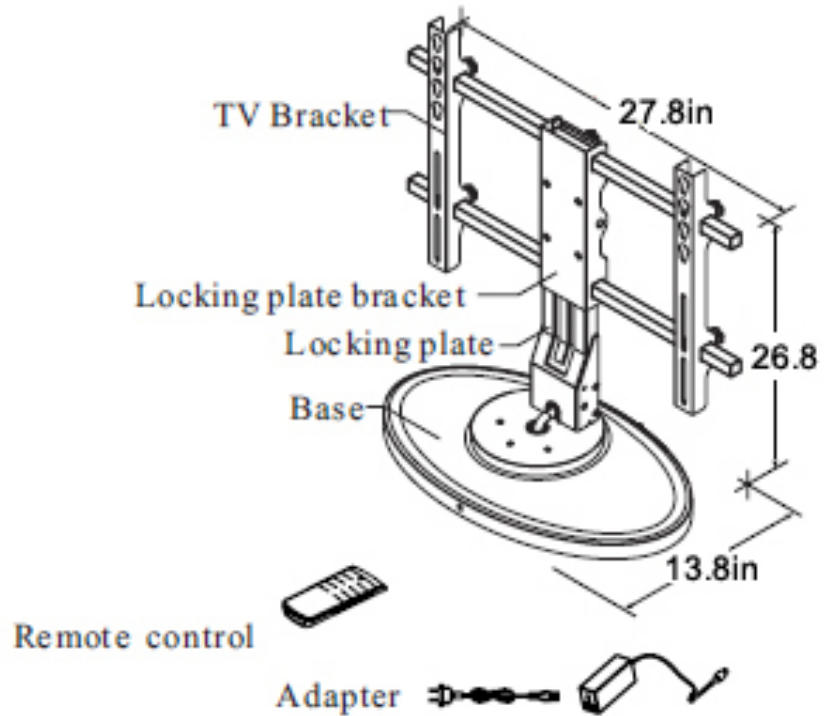


REMOTE CONTROLLED FLAT PANEL TV BRACKET











1. SPECIFICATION

1-1. DIMENSION

Length: 27.8 in
Height: 26.8 in
Width: 13.8 in



1-2. INSTALLATION PARTS:

① 6pcs	② 4pcs	③ 6pcs	④ 2pcs	⑤ 2pcs
 M6*8mm Cross Pan head screw	 M6*10mm Cross Flat Head Screw	 M6*18 Plastic-head Screw	 MSMS/MSmm Cross Sink Head Screw	 MSMS/MSmm Cross Pan head screw
⑥ 2pcs	⑦ 2pcs	⑧ 2pcs	⑨ 1pcs	⑩ 1pcs
 Tab	 Washer	 Pad	 Remote control	 Adapter

Check all the parts as shown on the manual included. If parts are missed or damaged, do not use it and please return to your local distributor.

2. ELECTRIC SPECIFICATIONS

2-1. INPUT VOLTAGE/CURRENT /FREQUENCY, OUTPUT CURRENT:

- A. Input Voltage/Current /Frequency: 100-240VAC/<0.65A/50~60Hz
B. Output Current:DC12V,2A

2-2. MOTOR

Item	Rated Voltage	Current (No load)	Current (Rated load)	Operation Temperature
Motor	DC12V	≤ 0.3 A	≤ 0.6 A	-20 C ~ -50 C

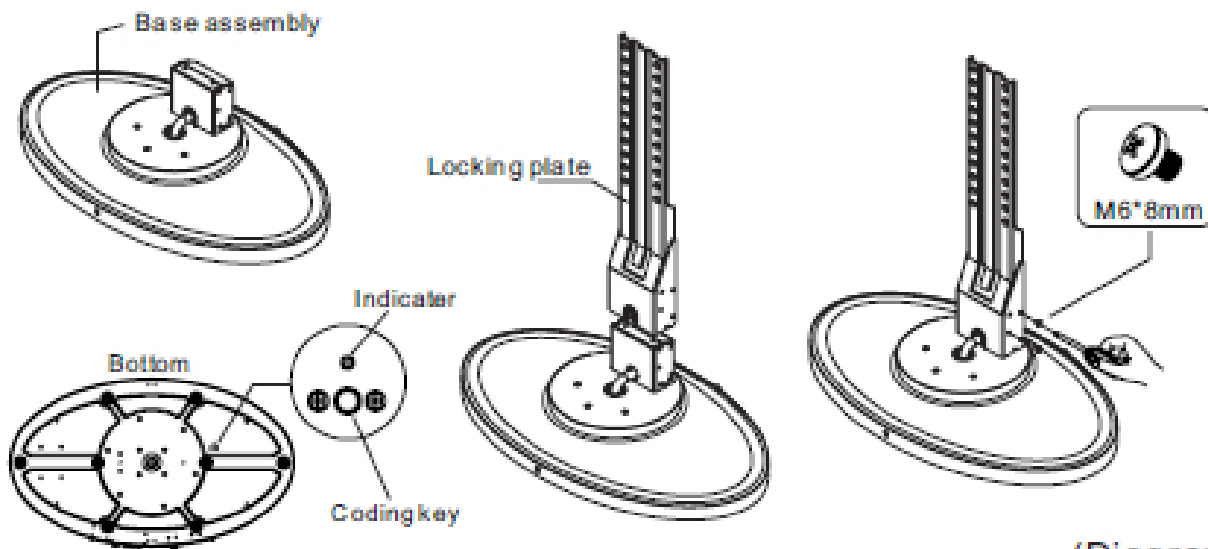
WARNING:

Correct installation is extremely essential, and falls outside the scope of responsibility of manufacturer. The user must pay attention to the weight of TV and TV wall mount, and only solid wall can support the weight. For the wooden wall, product's fasteners supplied shall be positioned in wood stubs. Please comply with the installation instruction of LCD/PDP to install them.

3. INSTALLATION INSTRUCTION

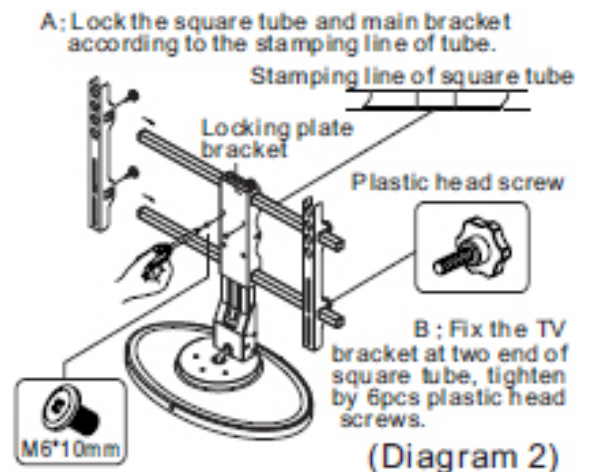
3-1. INSTALLATION METHOD

A. Put the base on the table, fasten the locking plate on the base assembly by 6pcs (1) M6*8mm cross pan head screw. (Diagram 1)

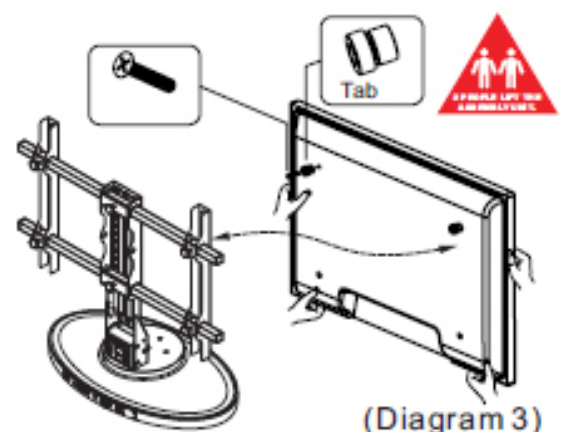


(Diagram 1)

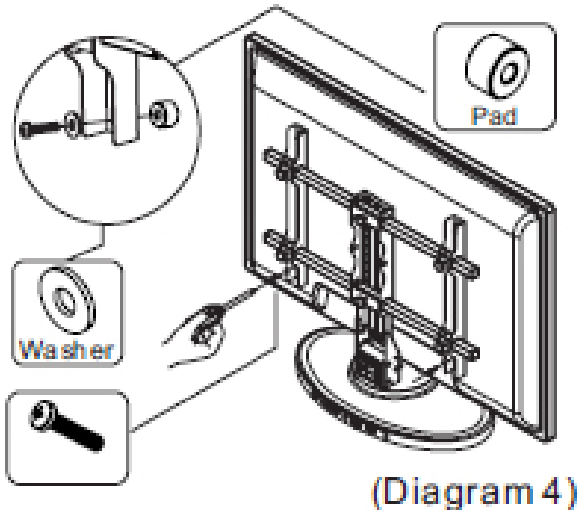
B. Then screw up the locking plate bracket to locking plate by 4pcs (2) M6*10mm Flat Head Screw. Insert two square tubes to the hole of locking plate bracket, then screw up them by 2pcs (3) plastic head screw (Let the stamped lines on the square tubes close to the edge of locking plate bracket), hang TV brackets (2pcs) on the square tubes and tighten them by (3) 4pcs plastic head screws (Keep the distance between the two brackets same as the distance of the horizontal holes on TV back cover) (Diagram 2)



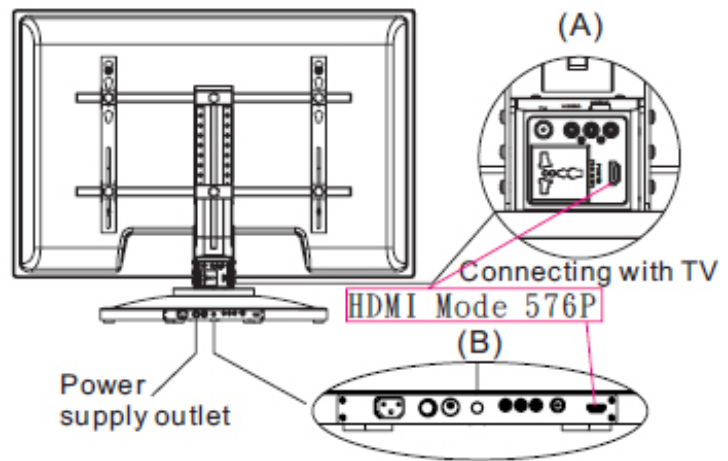
C. Screw up the 2pcs (6) tab to the upper holes of TV back cover by 2pcs (4) sink head screw, then hang TV to the corresponding holes of TV bracket by the two tabs. (Diagram 3)



D. Put the 2pcs (8) pad between TV bracket and the holes on TV back cover, and then fasten them by 2pcs (7) washer and 2pcs (5) pan head screw. (Diagram 4)



(Diagram 4)



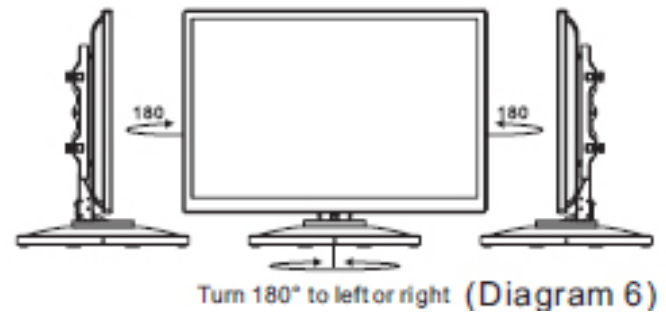
(Diagram 5) Connecting with external interface

E. Only make sure your installation is correct, you can connect the power supply, please connect interface on the back of TV mount with TV, and connect interface with power supply and audio/video/signal /data interface. For your safe, please connect them strictly comply with the instruction. (Diagram5)

3.2 USER 'S GUIDE.

A. FUNCTION

This product can be controlled by remote control to adjust the angle of TV to turn 180° to left or right. (Diagram6)

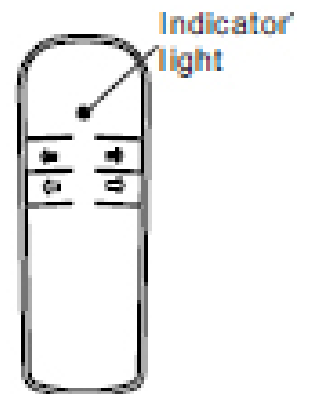


Turn 180° to left or right (Diagram 6)

B. REMOTE CONTROL(DIAGRAM 7)

I. KEY FUNCTION

1. ◀ Press the key, the mount will turn left.
2. ▶ Press the key, the mount will turn right.
3. ◀ Press the key, the mount will turn left to the origin position.
4. ▶ Press the key, the mount will turn right to the origin position.
5. Indicator: It shows the status of key open or close.



(Diagram 7)

II. OPERATING INSTRUCTION

1. The effective remote range is within 10 meters.
2. When user presses "R Return" or "L Return" of remote Control,the TV mount with TV will turn right or left to the corresponding direction, and will stop at the origin position.
3. When user presses "Left" or "Right" of remote control, the TV mount with TV will move to the corresponding direction, and will stop when you loosen the key.
4. Insert one 23A 12V battery in the remote control, if the battery ran out , please open the battery cover and put in new battery.

III. NOTICE

If any remote control of our product was lost or damaged, you can buy a new remote control with the same frequencies which produce by our company and do following operation:

- 1.- Memory cleaning: Press coding key about 10 seconds, the memory will clean after the LED indicator closed. (The memory is the coding memory of the previous remote control).
- 2.- Use new remote control: Press any key of remote control and the coding key 1-2 seconds at the same time, Loosen remote control firstly, Then loosen the coding key, finally, you can operate the product with new remote control. (Coding key ,Indicator, Please see diagram 1).

3-3. TECHNICAL PARAMETERS:

Item Model	TV Screen Size (inch)	Cart Dimension	Max Installation Size (inch)	Min Installation Size (inch)	Loading (lbs)	L/R angle (°)	Net Weight (lbs)
NY-20	32~42"	27.8"x 13.8"x8.7"	23.6 x 15.7	7.87 x 7.87	132.3	± 180	37.4 ±0.5

WARNING:

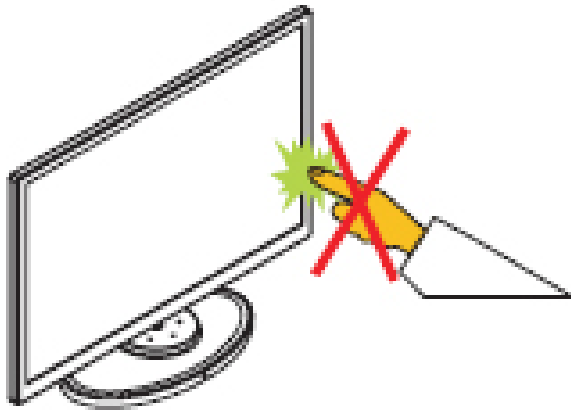
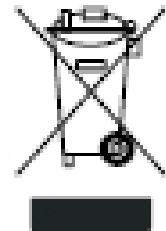
This wall mount is intended for use only with the maximum weight indicated. Use with heavier than the maximum weight indicated may result in instability causing possible injury.

3-4. CAUTION:

- Do not connect power supply before fasten the product.



- Make sure wire and plug are good before connecting.



- Do not touch or push the product by hand or other object when it is working. Check carefully to make sure every parts are fastened tightly before use.

3-5. MAINTENANCE

Often to check the product, ensure the safety. Do not use corrosive agent or alcohol or chemical cloth to clean.

4. RELIABILITY

Temperature and humidity condition: -20 C ~+ 50 C ,80%HR

WARNING:

- Do not disassemble the product to repair by yourself. Warranty for electricity is void after disassembled!
- After you installed the apparatus, please check the expansion screws and all fastening devices every 3 months, and please do not use it and contact the local dealer if gets loose, rusty or lost.